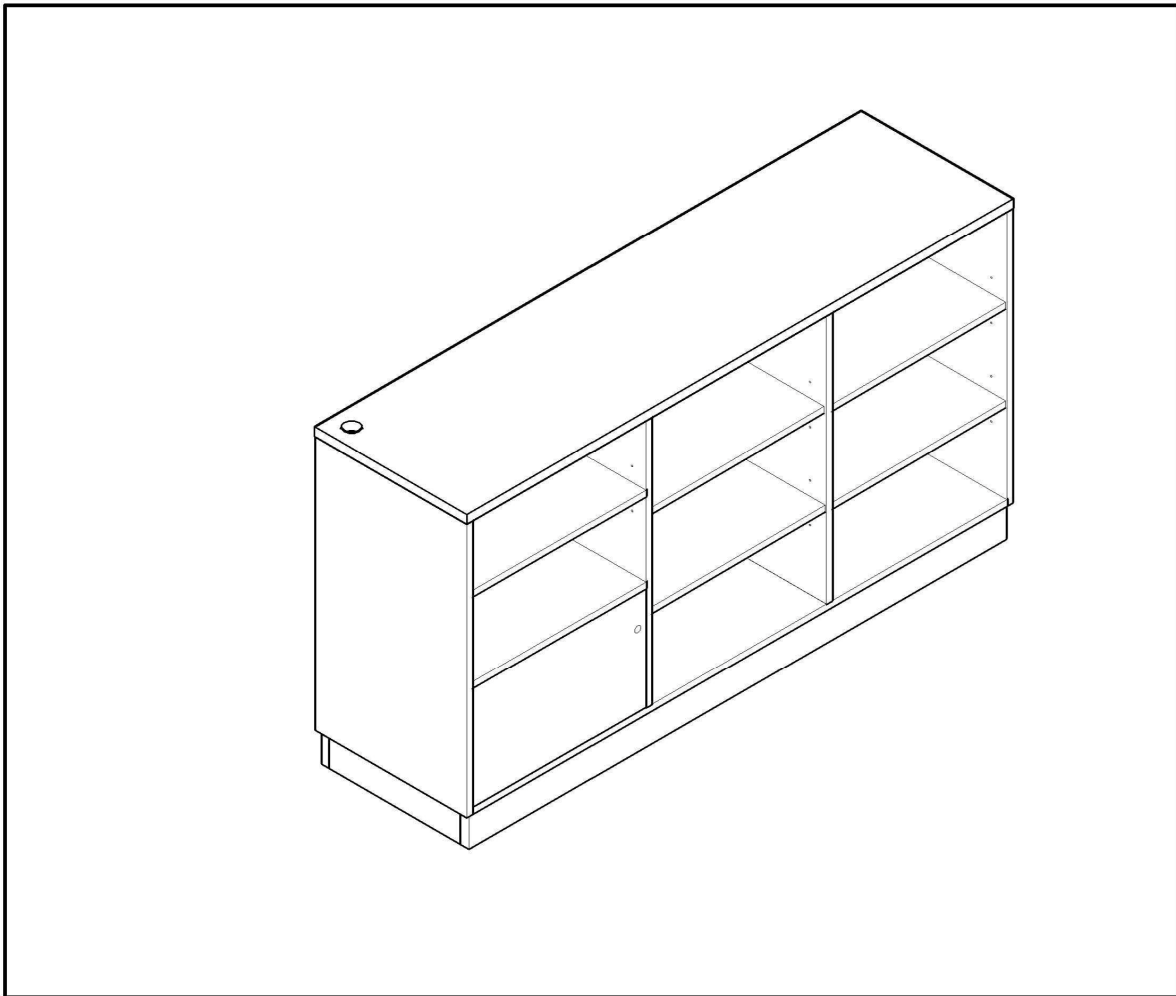


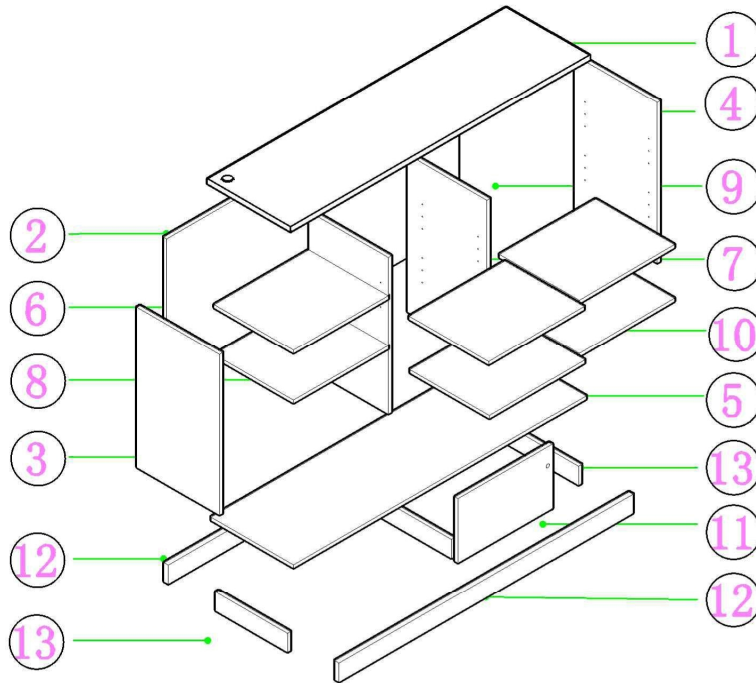
ASSEMBLY INSTRUCTIONS MANUAL

GREY BENCHTOP FLAT COUNTER

SW708-1800 1800mm (D) × 500mm (W) × 950mm (H)



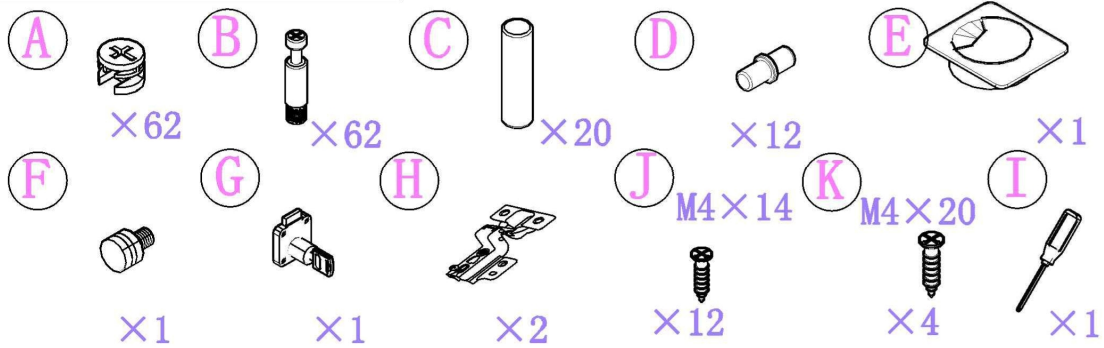
IDENTIFY PARTS:



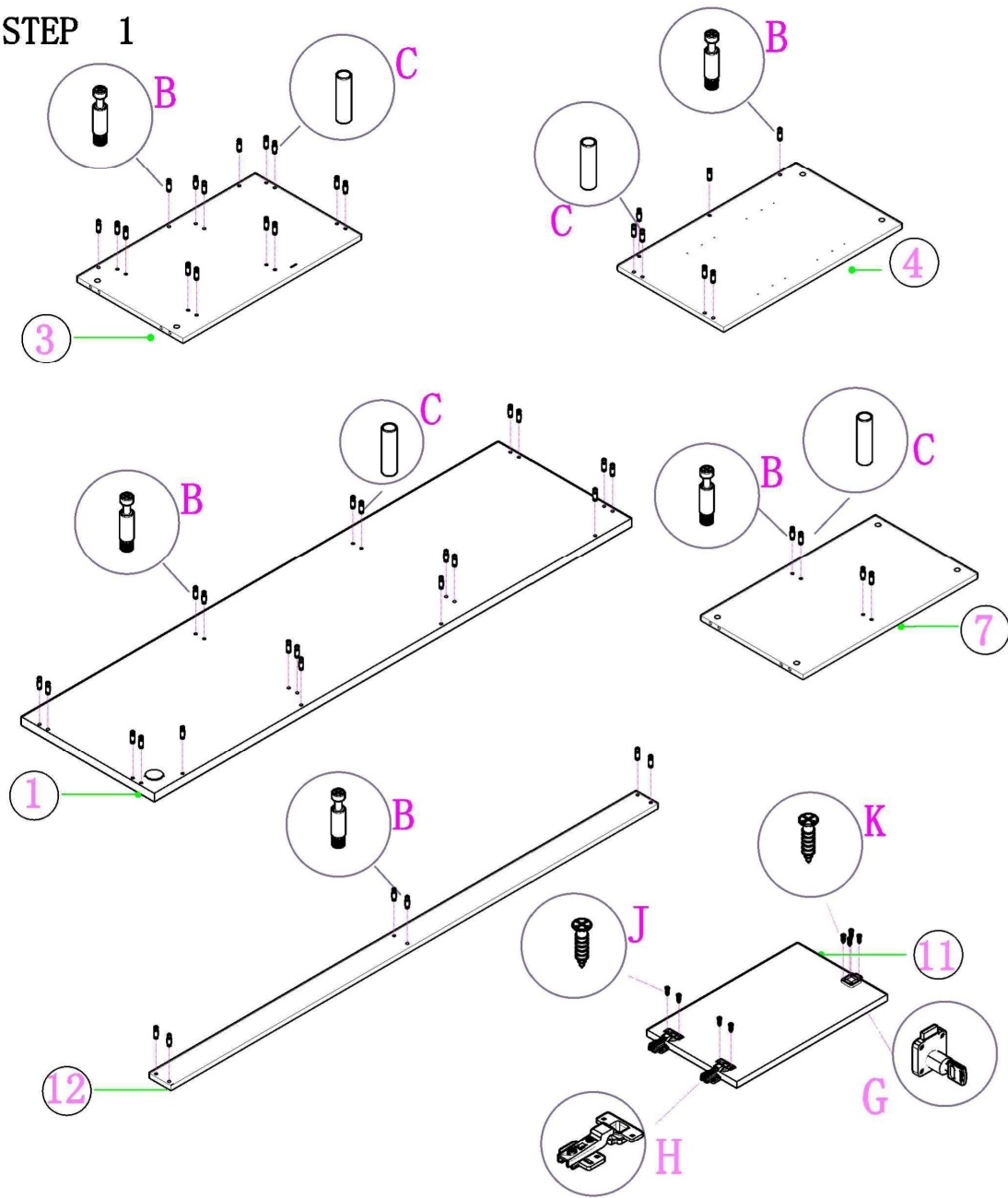
Please check below measurement sizes to identify parts:

Item	Size	Qty
1	1800*500*25	1
2	1762*821*18	1
3	840*498*18	1
4	840*498*18	1
5	1762*498*18	1
6	572*474*18	1
7	821*479*18	1
8	572*479*18	1
9	821*479*18	1
10	575*474*18	4
11	337*567*18	1
12	1770*85*25	2
13	420*85*25	3

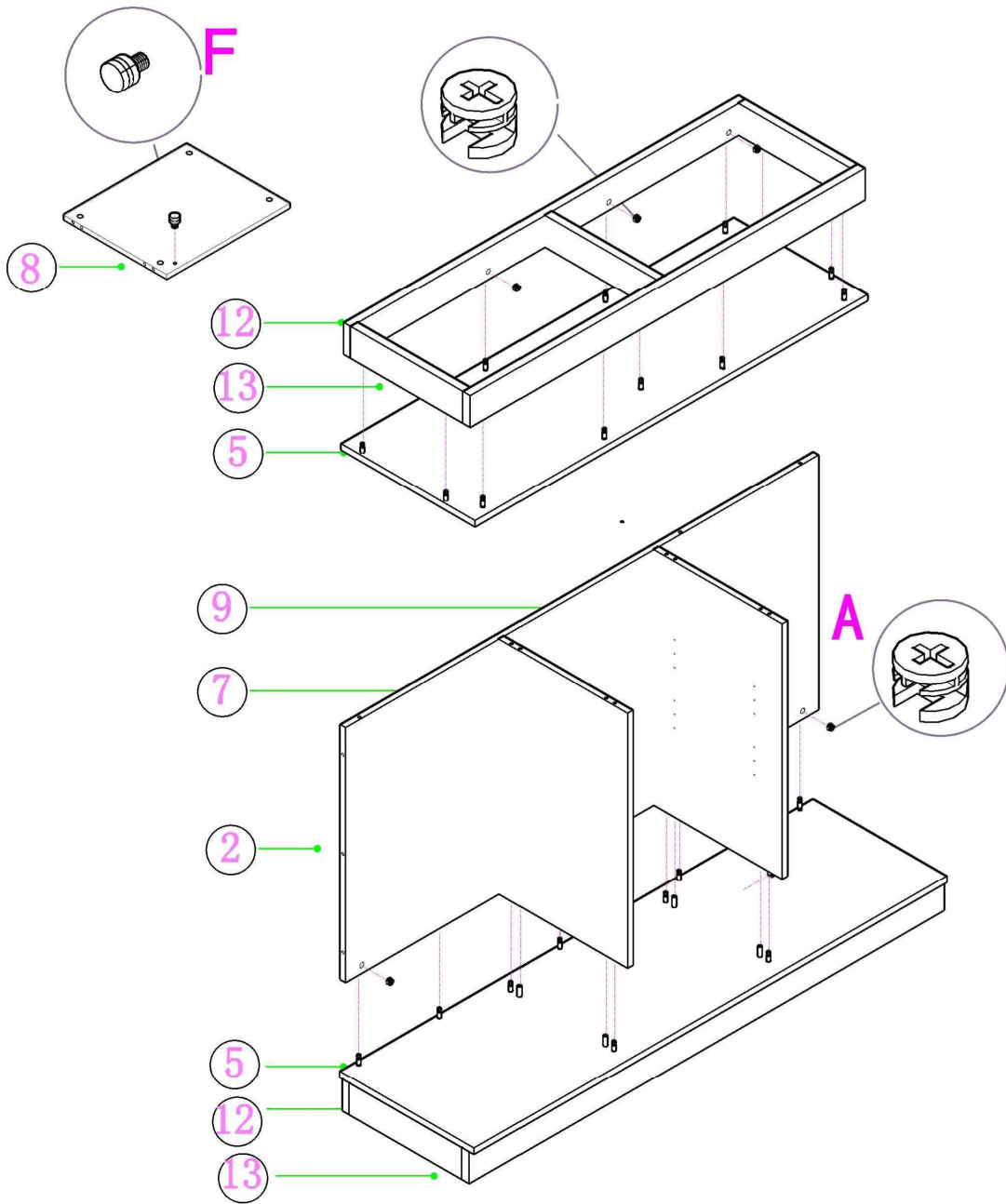
HARDWARE CONTENTS:



STEP 1



STEP 2



STEP 3

